

Masport[®] Heating

FREESTANDING WOOD FIRES

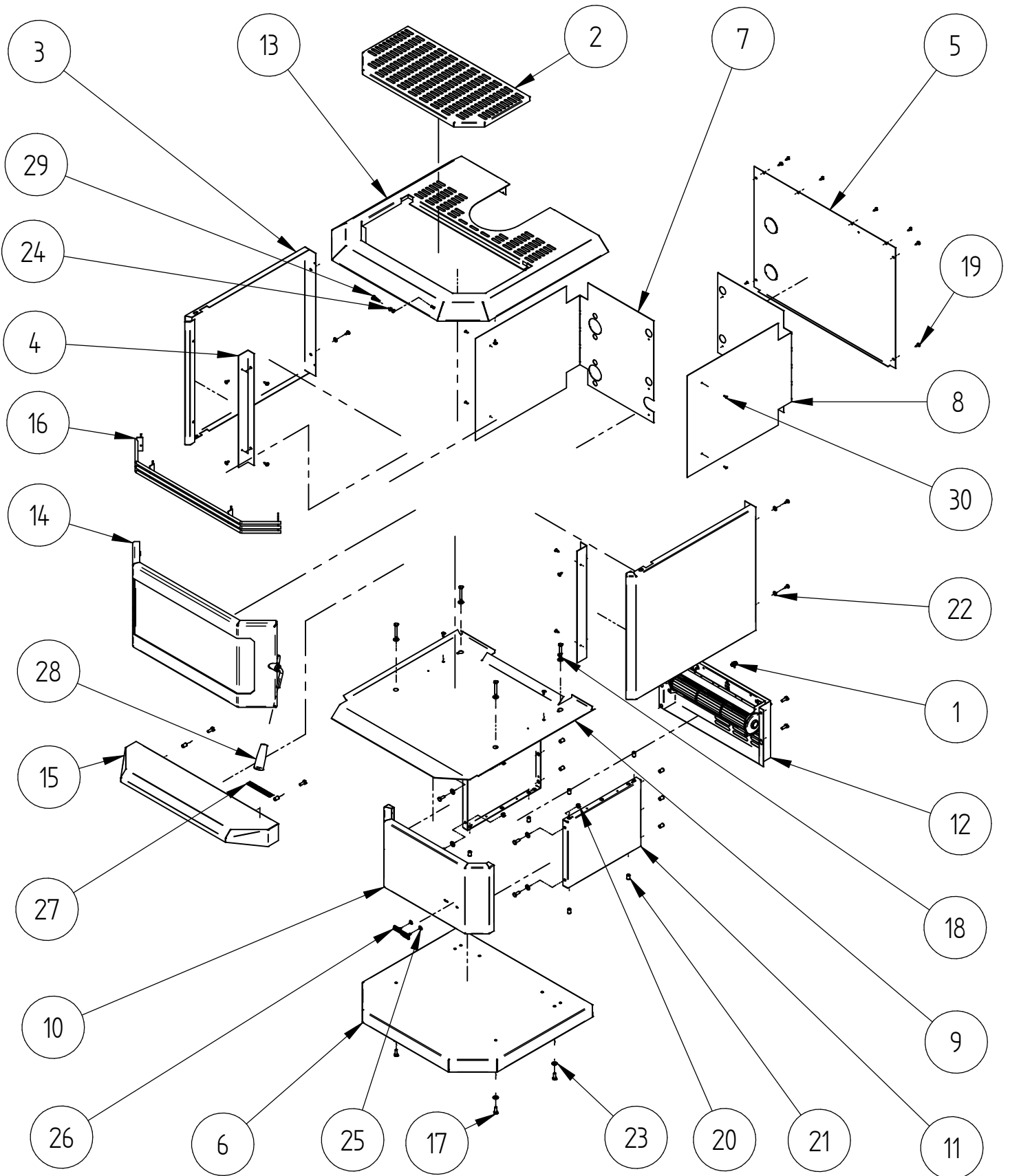
ATLANTA CLEAN AIR - AUSTRALIA

Item No.	MARKET	FUEL TYPE	FINISH	YEAR	FAN
ATNCHWBK*	AU	HARDWOOD	Matte Black Enamel	Jan-2008	Optional
992914				Oct-2010	
992918				Jan-2011	Yes
992920				Mar-2013	

*LOGAIRE BRAND



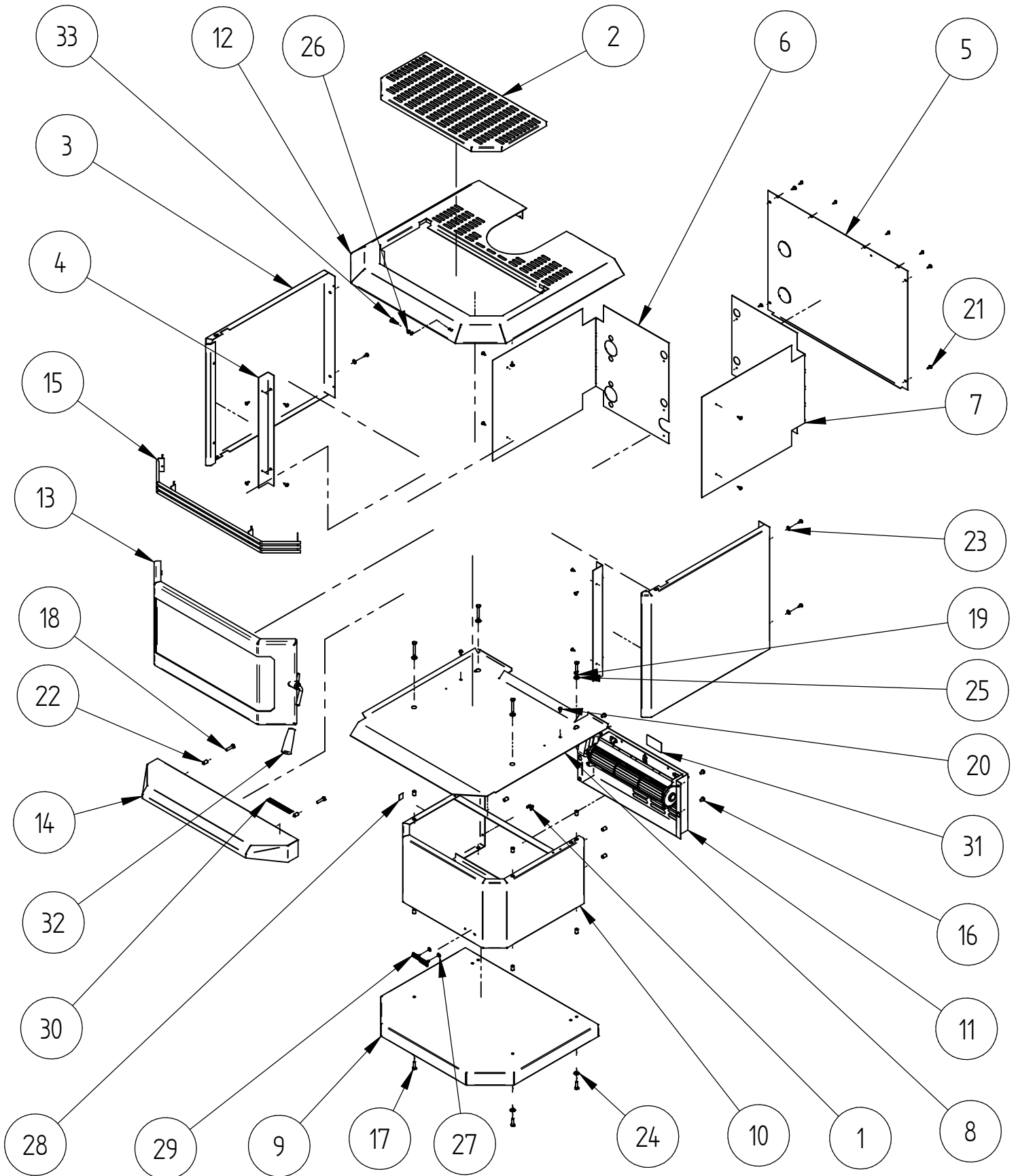
PANELS, DOOR AND PEDESTAL (Pre-2013)



PANELS, DOOR AND PEDESTAL (Pre-2013)						
Item	Part ID	Model(s)			Description	Qty
		ATNCHWBK	992914	992918		
1	993789	-N/A.-	-N/A.-	-	EARTH CONNECTION SET R1500 AUS	1
2	ATN00003	E01	E01	E01	ATN GRILL PANEL	1
3	ATN00006	E01	E01	E01	ATN SIDE PANEL	2
4	ATN00009	V02	V02	V02	ATN SIDE PANEL ANGLE	2
5	ATN00012	-	-	-	ATN REAR HEAT SHIELD	1
6	ATN00025	E01	E01	E01	ATN PEDESTAL BASE	1
7	ATN00039	-	-	-	ATN L/H INNER HEAT SHIELD	1
8	ATN00040	-	-	-	ATN R/H INNER HEAT SHIELD	1
9	ATN00176	-	-	-	ATN BASE HEAT SHIELD	1
10	ATN00177	E01	E01	E01	ATN PEDESTAL FRONT	1
11	ATN00178	E01	E01	E01	ATN PEDESTAL SIDES	2
12	ATN00181	-N/A.-	-N/A.-	P02	FAN ASSEMBLY COMP FER GAS ATLANTA	1
12A*	FANAC002	-	-N/A.-	-N/A.-	ATLANTA CONVECTION FAN DECK (AFMC)	1
12B*	ATN00180	-N/A.-	P02	-N/A.-	FAN ASSEMBLY COMPL ATLANTA (FERGAS)	1
13	ATNAC001	E01	E01	E01	ATN TOP PANEL COMPLETE ASSEMBLY	1
14	ATNAC730	E01	E01	E01	ATN FINISHED DOOR ASSEMBLY	1
15	HBAAC011	E01	E01	E01	HBA ASH SHELF ASSEMBLY	1
16	HBAAC017	-	-	-	HBA LOUVRE ASSEMBLY	1
17	521076	-	-	-	SCREW; M6X16 HEX ZP	14
18	521077	-	-	-	SCREW; M6X40 HEX ZP	4
19	521645	-	-	-	SCREW; S/T 8GX1/2" MUSH FLANGE POZI BLK	24
20	522117	-	-	-	NUT; HEX STD M6 ZP	4
21	522611	-	-	-	NUT; RIVNUT THN/SHT M6X13.5	16
22	523011	-	-	-	WASHER; FLAT 3/16"X1/2"X1/16" FIBRE	4
23	523036	-	-	-	WASHER; FLAT 1/4"X5/8" BLK	12
24	526008	-	-	-	CLIP; STARLOCK M3	2
25	526009	-	-	-	CLIP; STARLOCK M4	2
26	587835	-	-	-	BADGE MASPORT HEATING	1
27	595695	-	-	-	DECAL "BURN ONLY" COMBINED NZ/AUS	1
28	MIC00376	-	-	-	MIC DOOR HANDLE	1
29	MIC00744	-	-	-	MIC HILO BADGE	1
30	524002	-	-	-	RIVET; 73 AS 4-3	7

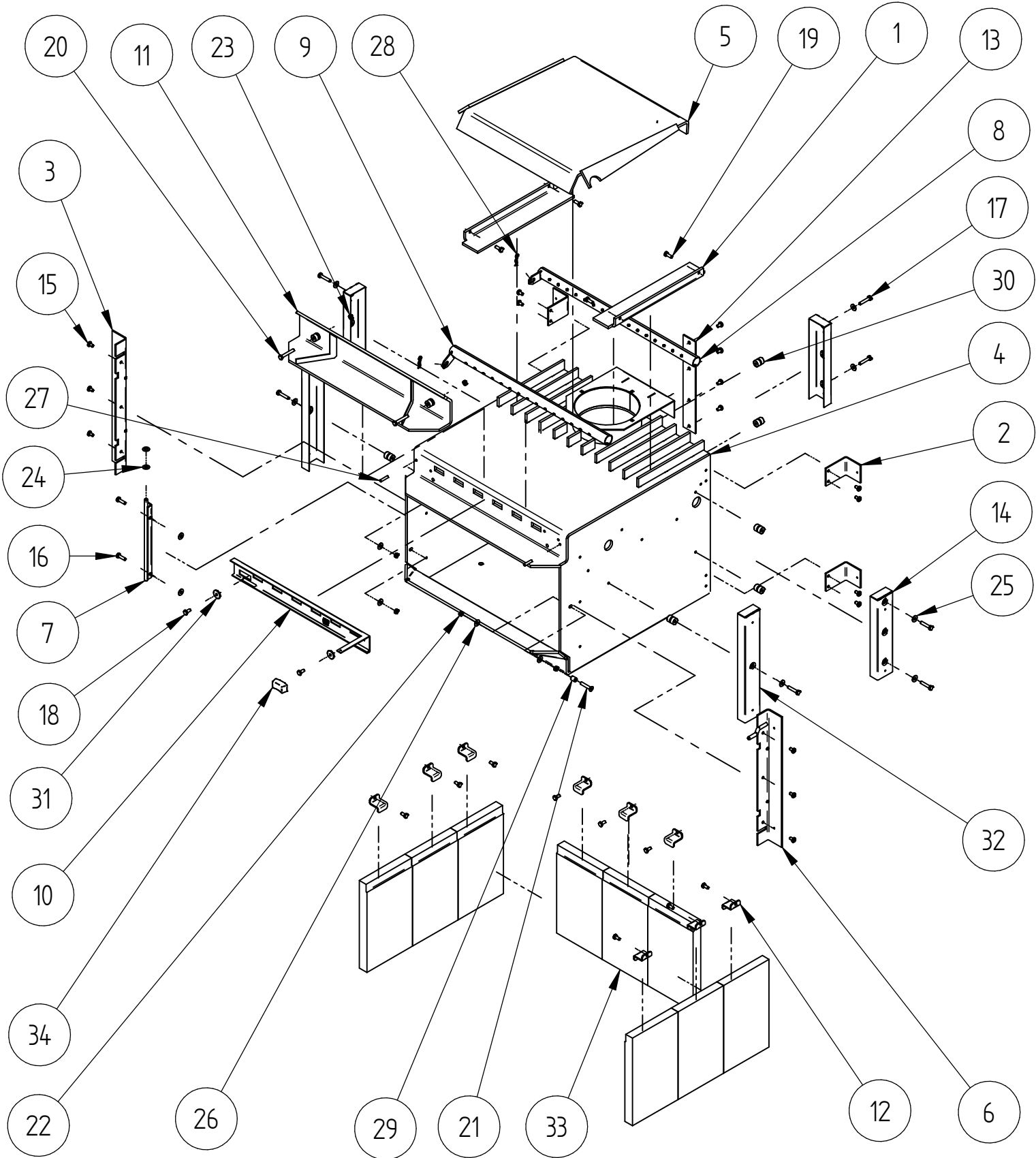
*Optional Sale Kit

PANELS, DOOR AND PEDESTAL (2013 Onwards)



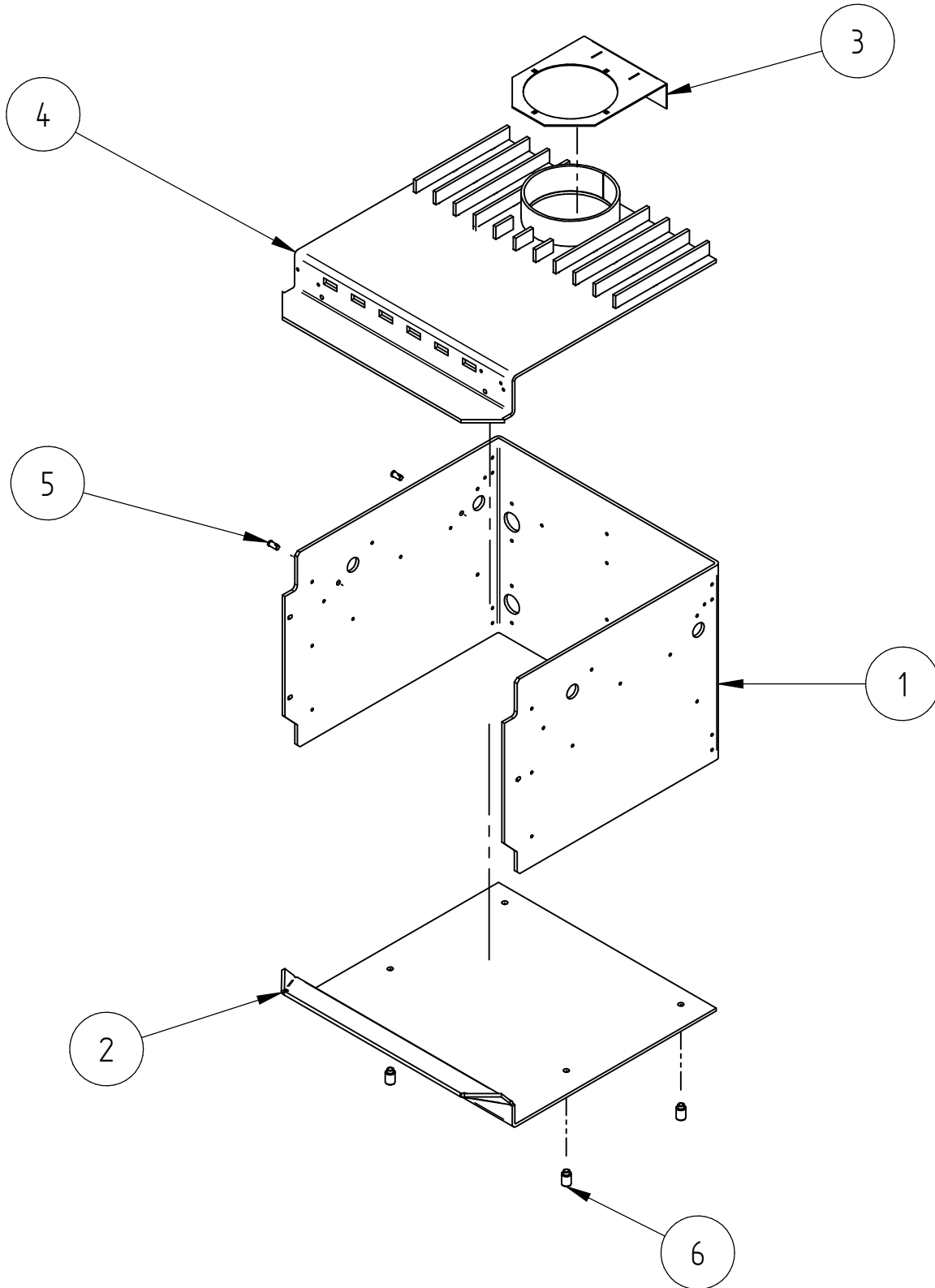
PANELS, DOOR AND PEDESTAL (2013 Onwards)				
Item	Part ID	Model(s)	Description	Qty
		992920		
1	596603	-	EARTH TAB RIVET BN11	1
2	ATN00003	E01	ATN GRILL PANEL	1
3	ATN00006	E01	ATN SIDE PANEL	2
4	ATN00009	V02	ATN SIDE PANEL ANGLE	2
5	ATN00012	-	ATN REAR HEAT SHIELD	1
6	ATN00039	-	ATN L/H INNER HEAT SHIELD	1
7	ATN00040	-	ATN R/H INNER HEAT SHIELD	1
8	ATN00176	-	ATN BASE HEAT SHIELD	1
9	ATN00174	P02	ATN PEDESTAL BASE	1
10	ATNAC175	P02	ATN PEDESTAL ASSEMBLY	1
11	ATN00181	P02	FAN ASSEMBLY COMP FERGAS ATLANTA	1
12	ATNAC001	E01	ATN TOP PANEL COMPLETE ASSEMBLY	1
13	ATNAC730	-	ATN FINISHED DOOR ASSEMBLY	1
14	HBAAC011	E01	HBA ASH SHELF ASSEMBLY	1
15	HBAAC017	-	HBA LOUVRE ASSEMBLY	1
16	521045	-	SCREW; M6X10 PAN POZI BLK	4
17	521054	-	SCREW; M6X20 HEX ZP	4
18	521058	-	SCREW; M6X25 HEX ZP	2
19	521077	-	SCREW; M6X40 HEX ZP	4
20	521620	-	SCREW; S/T 10GX3/8" HEX FLANGE SLOT BLK	2
21	521645	-	SCREW; S/T 8GX1/2" MUSH FLANGE POZI BLK	29
22	522611	-	NUT; RIVNUT THN/SHT M6X13.5	14
23	523011	-	WASHER; FLAT 3/16"X1/2"X1/16" FIBRE	4
24	523007	-	WASHER; FLAT 1/4"X5/8"X0.049" ZP	4
25	523036	-	WASHER; FLAT 1/4"X5/8" BLK	4
26	526008	-	CLIP; STARLOCK M3	2
27	526009	-	CLIP; STARLOCK M4	2
28	585631	-	DECAL EARTH	1
29	587835	-	BADGE MASPORT HEATING	1
30	595695	-	DECAL "BURN ONLY" COMBINED NZ/AUS	1
31	594786	-	DECAL FAN OPERATION	1
32	MIC00376	-	MIC DOOR HANDLE	1
33	MIC00744	-	MIC HILO BADGE	1

AIRSLIDE, BAFFLE, BRICKS AND FIREBOX



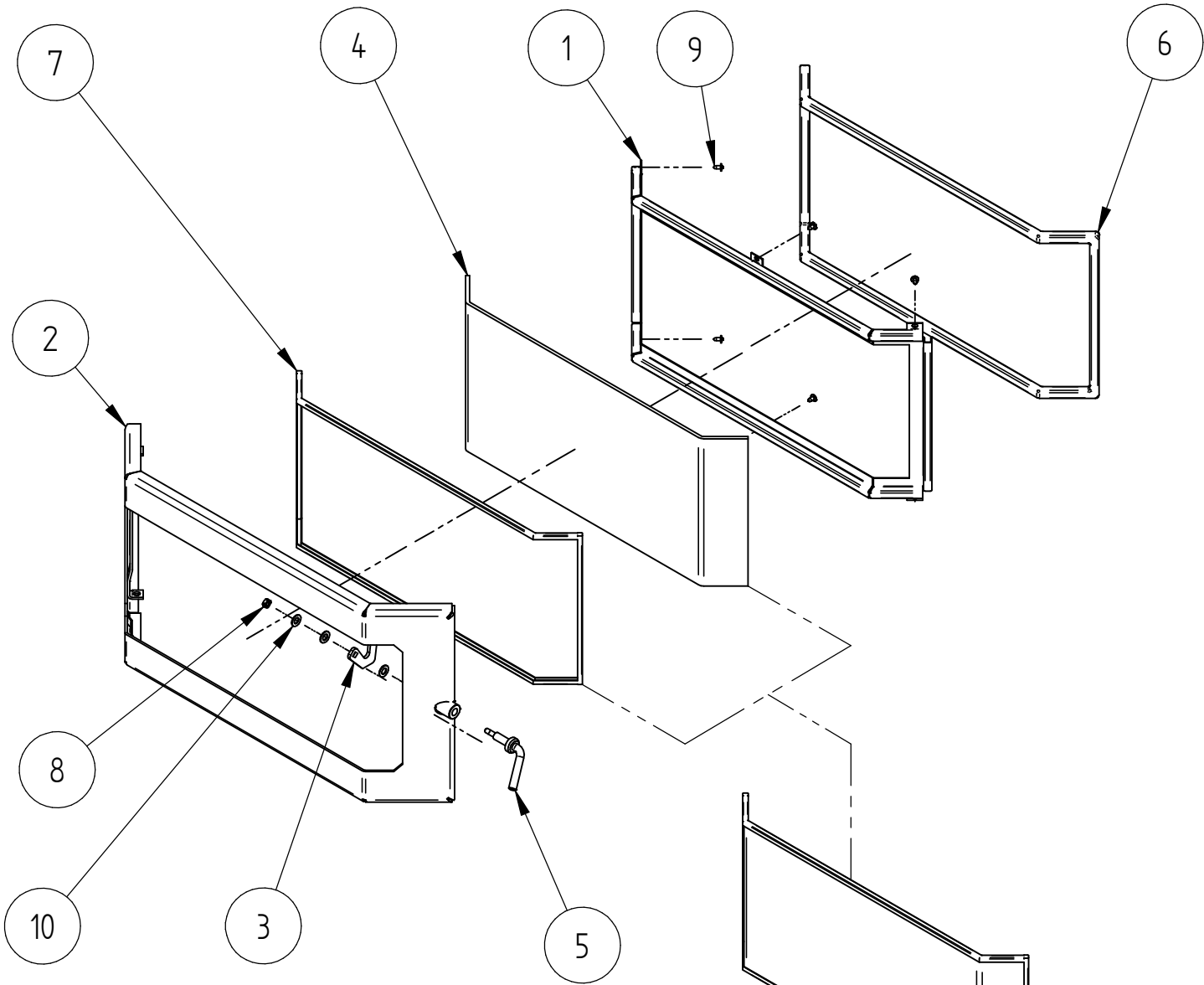
AIRSLIDE, BAFFLE, BRICKS AND FIREBOX							
Item	Part ID	Model(s)				Description	Qty
		ATNCHWBK	992914	992918	992920		
1	AIB00116	-	-	-	-	AIB BAFFLE SUPPORT	2
2	ATN00130	-	-	-	-	ATN BODY MOUNT BRACKET	4
3	ATN00183	-	-	-	-	ATN DOOR RIDDLE STIFFENER	1
4	ATNAC004	-	-	-	-	ATN FIREBOX ASSEMBLY	1
5	ATNCAC109	-	-	-	-	ATNC BAFFLE PLATE	1
5A	ATNC00348	-	-N/A-	-N/A-	-N/A-	ATNC BAFFLE BLANKET	1
6	ATNAC183	-	-	-	-	ATN STIFFINER & GUIDE SUB	1
7	ATNAC190	-	-	-	-	ATN HINGE PLATE ASSEMBLY	1
8	ATNC00136	-	-	-	-	ATNC REAR AIR BAR ASSEMBLY	1
9	ATNC00138	-	-	-	-	ATNC FRONT AIR BAR COMPLETE	1
10	ATNCHW036	-	-	-	-	ATNCHW AIR SLIDE	1
11	HBAAC102	-	-	-	-	HBA AIR DEFLECTOR COMPLETE	1
12	HBA00118	-	-	-	-	HBA BRICK RETAINER	9
13	MIC00135	-	-	-	-	MIC WET BACK COVER PLATE	1
14	HCA00164	-	-	-	-	HCA SEC AIR CHANNEL	3
15	521046	-	-	-	-	SCREW; M6X10 PAN POZI ZP	18
16	521054	-	-	-	-	SCREW; M6X20 HEX ZP	2
17	521059	-	-	-	-	SCREW; M6X30 HEX ZP	8
18	521075	-	-	-	-	SCREW; M6X12 HEX ZP	11
19	521076	-	-	-	-	SCREW; M6X16 HEX ZP	4
20	521077	-	-	-	-	SCREW; M6X40 HEX ZP	2
21	521814	-	-	-	-	SCREW; CAP M6X35 CSK ALLEN BLK	1
22	522107	-	-	-	-	NUT; HEX STD M6 BLK	2
23	522117	-	-	-	-	NUT; HEX STD M6 ZP	4
24	523018	-	-	-	-	WASHER; FLAT 5/16"X5/8" BLK	2
25	523007	-	-	-	-	WASHER; FLAT 1/4"X5/8"X0.049" ZP	12
26	523036	-	-	-	-	WASHER; FLAT 1/4"X5/8" BLK	2
27	525003	-	-	-	-	PIN; TENSION 5X24 BLK	2
28	526101	-	-	-	-	CLIP; R-CLIP 1.8 DIA ST	2
29	ATN00079	-	-	-	-	ATN DOOR CATCH PIN	1
30	HBA00129	-	-	-	-	HBA AIR DEFLECTOR SPACER	8
31	MIC00083	-	-	-	-	LOGAIRE METRO AIR SLIDE SPACER	2
32	MIC00123	-	-	-	-	MIC SEC AIR CHANNEL	2
33	MIC00354	-	-	-	-	MIC BRICK	9
34	MIC00375	-	-	-	-	MIC AIR SLIDE HANDLE	1

FIREBOX DETAILS

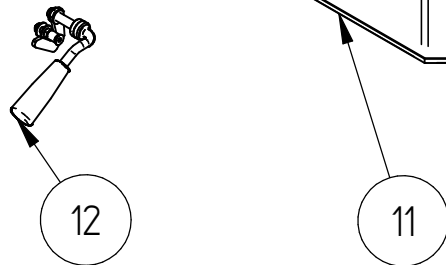
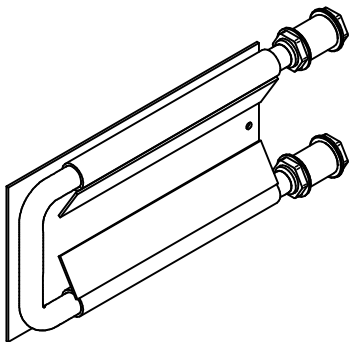


FIRE BOX							
Item	Part ID	Model(s)				Description	Qty
		ATNCHWBK	992914	992918	992920		
1	ATN00106	-	-	-	-	ATN FIREBOX WRAP	1
2	ATN00107	-	-	-	-	ATN FIREBOX BASE	1
3	ATN00121	-	-	-	-	ATN SPIGOTT PLATE	1
4	ATNAC103	-	-	-	-	ATN FIRE BOX TOP COMPLETE	1
5	MIC00137	-	-	-	-	MIC AIRBAR PIN	2
6	MET00429	-	-	-	-	FIREBOX BUSH - SPIGOTED	4

DOOR ASSEMBLY

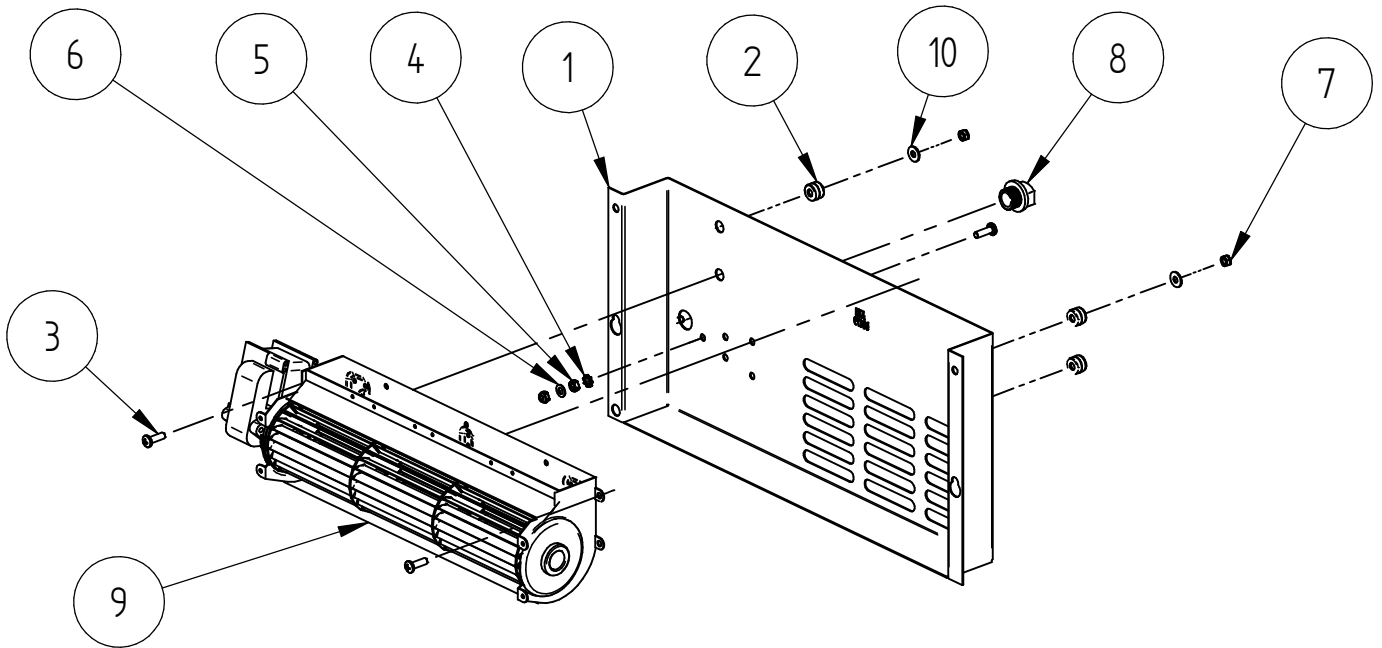


WET BACK - OPTIONAL



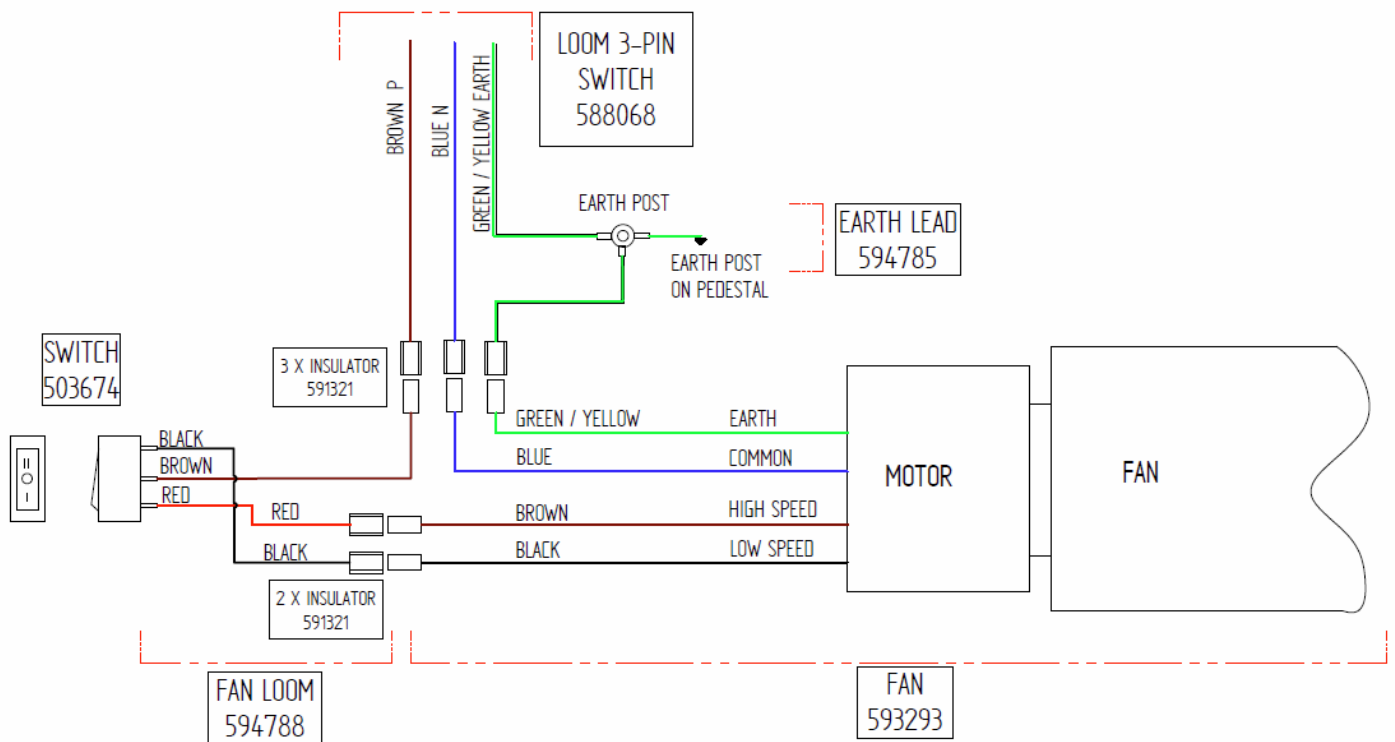
PANELS, DOOR AND PEDESTAL (Pre-2013)							
Item	Part ID	Model(s)				Description	Qty
		ATNCHWBK	992914	992918	992920		
1	ATN00034	-	-	-	-	ATN GLASS RETAINER	1
2	HBAAC030	E01	E01	E01	E01	HBA DOOR FRAME COMPLETE	1
3	ATN00133	-	-	-	-	ATN DOOR LATCH PLATE	1
4	ATN00204	-	-	-	-	ATN GLASS	1
5	MIC00373	-	-	-	-	DOOR SPINDLE	1
6	C16MMDR	-	-	-	-	DOOR ROPE 16MM X 50m ROLL (MTR)	1
7	C25MMLT	-	-	-	-	LADDER TAPE 25x3x50m ROLL (MTR)	1
8	522117	-	-	-	-	NUT; HEX STD M6 ZP	1
9	521627	-	-	-	-	SCREW; S/T 8GX3/8" MUSH FLANGE POZI BLK	6
10	523018	-	-	-	-	WASHER; FLAT 5/16"X5/8" BLK	4
11*	ATN99204	-	-	-	-	ATN 1999 GLASS/TAPE	1
12*	ATNACDH	-	-	-	-	ATN DOOR HANDLE ASSEMBLY KIT	1

*Optional Sale Kit

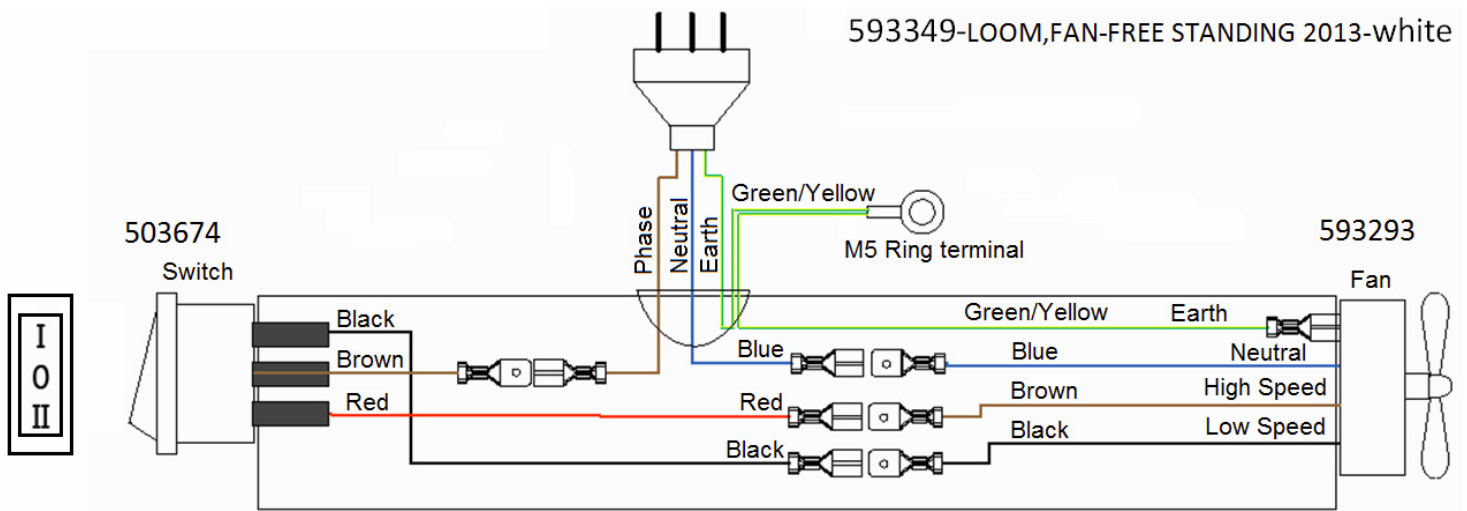


ATLANTA FAN BOX ASSEMBLY							
Item	Part ID	Model(s)				Description	Qty
		ATNCHWBK	992914	992918	992920		
1	ATN00179	-N/A.-	-N/A.-	P02	P02	PANEL FAN MOUNT ATLANTA	1
2	529402			-	-	GROMMET; 14X6	4
3	521033			-	-	SCREW; M5X16 PAN POZI BLK	3
4	523204			-	-	WASHER; STAR M5 EXT	1
5	522106			-	-	NUT; HEX STD M5 ZP	2
6	523028			-	-	WASHER; FLAT M5 BRS	1
7	522305			-	-	NUT; NYLOCK M5 ZP	3
8	529201			-	-	CLAMP; CABLE 16 LITTLE GRIPPER	1
9	593293			-	-	FAN-2 SP TANG W/F INB FERGAS 76118	1
10	523000			-	-	WASHER; FLAT 3/16"X1/2"X18G ZP	2

FAN LOOM DIAGRAM



FAN WIRING DIAGRAM W/F FREESTANDING 2011-2013 (AUSTRALIAN MODELS ONLY)



FAN WIRING DIAGRAM W/F FREESTANDING 2013 ONWARDS

NOT ILLUSTRATED							
Item	Part ID	Model(s)				Description	Qty
		ATNCHWBK	992914	992918	992920		
1	ATNCHWBRICK	-N/A.-	-N/A.-	-	-N/A.-	INSTRUCTION - BRICK LAYOUT	1
2	ATNBRICK	-N/A.-	-N/A.-	-N/A.-	-	ATLANTA BAY BRICK LAYOU	1
3	593286	-N/A.-	-	-	-	OWNER MANUAL WOODFIRES	1
4	593287	-N/A.-	-	-	-	INSTALL MANUAL WOODFIRES	1
5	MIC00739	-	-N/A.-	-N/A.-	-N/A.-	LOGAIRE OPERATION INSTRUCTION	1
6	ATNM0738	-	-	-	-	ATN & ATNCHW DATA SHEET	1
7	594797	-N/A.-	-N/A.-	-	-N/A.-	INSTRUCTION ATLANTA PED/FAN ASSY	1

SURFACE FINISH CODES FOR PANELS						
VITREOUS ENAMEL		VHT PAINT(Very High Temp)			POWDER COAT	
E01	MATT BLACK	V02	P-000022	METALLIC BLACK	P02	MATT BLACK
E02	GLOSS BLACK	V03	P-000043	CHARCOAL	P03	CHARCOAL
E03	CHARCOAL	V04	P-000081	TITANIUM	P05	SATIN BLACK
		V05	P-000051	CHARCOAL (DAM MET BLK)	P09	METTALIC BLACK
		V06	P-000052	METALLIC BLACK ZINC		

LESS FREQUENTLY OR OLD SURFACE FINISH CODES FOR PANELS						
VITREOUS ENAMEL		VHT PAINT(Very High Temp)			POWDER COAT	
E04	JASMINE	V01		SATIN BLACK HIGH TEMP	P01	BLUE/BLACK
					P04	GLOSS CHARCOAL
					P07	FLAT BLACK